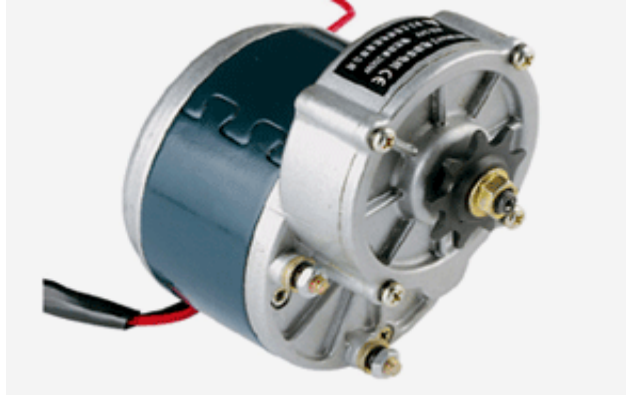


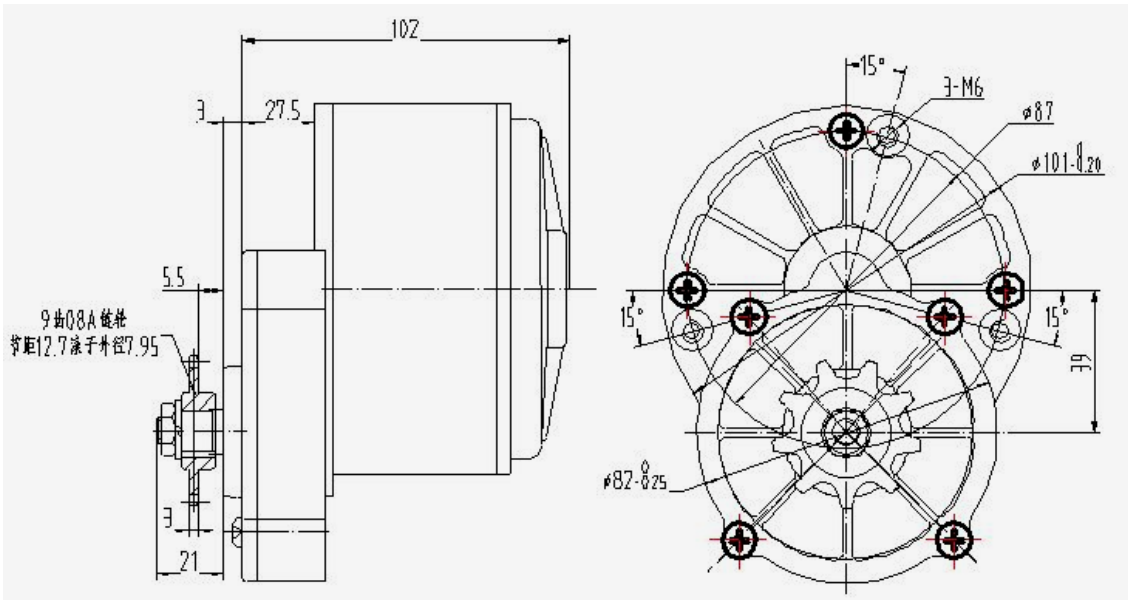
MY1016Z2-250W

1. PHOTO:



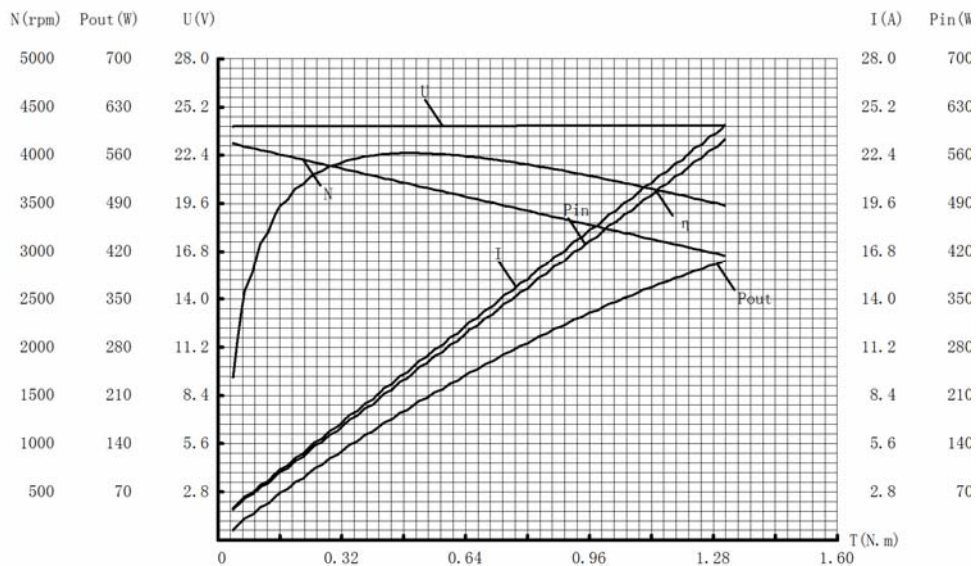
2. DIMENSIONS:

3. PERFORMANCE:



单位:浙江尤奈特电机有限公司

日期: 2005年



	Torque/N.m	Speed/rpm	P-out/W	Volt/V	Current/A	P-in /W	Efficient/%
No Load	0.39	421	15.12	24.09	1.86	44.71	33.81
Max. Efficient	4.79	379	188.97	24.11	9.74	234.87	80.46
Rated Load	6.65	361	251.54	24.12	13.12	316.47	79.48
Max.Torque	11.5	315	380.74	24.14	21.91	528.92	71.98

4. SPECIFICATIONS:

MODEL	SPECS	V	NO LOAD		RATED LOAD				
			SPEED	CURRENT	TORQUE	SPEED	CURRENT	P-OUT	EFFICIENT
			RPM	A	N.M.	RPM	A	W	η
1016Z2	250W24V	24	434±5%	≤1.8	6.65±5%	357±5%	≤13.7	250	≥76%
1016Z2	250W36V	36	434±5%	≤1.8	6.65±5%	357±5%	≤9.1	250	≥76%
GEARBOX RATIO $i = 88 \div 9 = 9.778$									

5. PACKAGE:

MODEL	WEIGHT Kg/PC	QTY. PC/CTN	CTN G.W. Kg	DIMENSION CM	PACKING MATERIAL
MY1016Z2-250W24V	2.115	12	26.2	37x32x26	CARTON BOX
MY1016Z2-250W36V	2.115	12	26.2	37x32x26	CARTON BOX